



AS-100

節能型揭門式洗碗碟機
Energy Saving Door Type Dishwasher

AS-100

節能型揭門式洗碗碟機
Energy-Saving Door Type Dishwasher

卓滙洗碗碟機特色
CHAMPION Dishwasher with Excellent Characteristics



突破性節能設計

BREAKTHROUGH OF
ENERGY SAVING DESIGN

比較傳統機型節省高達52%的能源，同時達到衛生標準。

Achieve over 52% electricity consumption saving compare with traditional models and achieve the hygiene standard at the same time.



穩定耐用

STABLE AND DURABLE

全機採用SUS 304 1.5mm不鏽鋼結構及機械式控制設計，於高溫及潮濕的環境中亦應能發揮其耐用性及穩定性。

The construction adopt SUS 304 1.5mm stainless steel and mechanical control. Durability and stability can be maintained even in high temperature and moisture environment.



高效運作

HIGH EFFICIENCY

高速設計及強勁水力輸出，提升洗滌效率，減省人手。

High speed design and strong washing power, enhance the washing efficiency and manpower saving.



國際認可

INTERNATIONAL
RECOGNITION

CHAMPION洗碗碟機全系列獲國際認可，符合國際食品安全及衛生標準；認可設備於材料、易潔度、溫度、時間、水壓、運作設計等、各方面均達到國際標準。

CHAMPION Dishwasher complied with the international standard of food safety and hygiene, approved by HACCP which achieved the standard of material used, washable, temperature, time, water pressure and operation, hygiene and safety image enhanced.



國際廠房

INTERNATIONAL
MANUFACTORY

首家港資公司創立國際性廠房，全線洗碗碟機在嚴密的工序及監控下生產；從技術研發，原材料選材，流程設計，質量管理及控制都一絲不苟。

The first international dishwashers' manufactory financed and managed by Hong Kong Company. The full series of dishwashers are manufactured under rigorous procedures and inspection, from research and development, materials selection, procedure design, to quality control.



簡單易用

SIMPLE TO USE

採用簡易操作系統，一按式啟動及自動化操作，任何用家操作自如。

Adopt user friendly operation system. "One-Button" activation and automatic operation are easy for any users to control.

信心保證 Quality Assurance

- 食品安全認證 HACCP International Food Safety Certificate 
- CSA認證  Certificate
- 歐盟認證  Certificate
- 質量管理認證 Quality Management System  ISO 9001:2018 Certificate
- 香港政府食物環境衛生署認可牌照 HKSAR Food and Environmental Hygiene Dept. Approved Certificate



卓越設計功能 AS-100 Excellent Design



電源節省 Electricity saving

	普遍機型 General Model	AS-100	節省 Save
每小時用電量 Electricity Consumption per hour	9 kWh	4.2 kWh	52%

每日運作
Daily Operation Time

8小時(hour)

賺取高達
Possible Earn

\$ 1,500 / 月以上
Month Above



供電需求減少 Power Supply Requirement Reduction

傳統機型
General Model

30 Amp

AS-100 **15 Amp**



用水量節省 Water Consumption Saving

傳統機型
General Model

3 Ltr / 節(Rack)

AS-100 **1 Ltr / 節(Rack)**

以上資料根據香港生產力促進局驗證 (項目編號 00390)。

The above information is based on the testing result of Hong Kong Productivity Council (Project Number 00390).

以上數據只作參考用途，節省率會受實際環境及操作所影響。

The above data is for reference purposes only. The saving is affected by actual environment and washing procedure.



- ◀ 雙層中空隔溫鋼門設計，能令洗碗碟機表面溫度由65°C降至35°C。減少熱能流失外，更能保障使用者安全。

Dual stainless steel door design is capable of reducing the surface temperature of dishwasher from 65°C to 35°C. Hence, it can reduce heat loss and even protect users safety.



- ◀ 採用內凹式噴孔設計，有效阻隔垃圾及食物渣滓，避免噴孔受到阻塞，並加強清洗能力和擴闊噴洗範圍。

Debossed anti-clog nozzles provides powerful washing performance, strainer pans and baskets can separate the food soils and trash in order to avoid any nozzle blockage.



- ◀ 全新節能熱水爐設計，配備保溫棉覆蓋設計，有效減少熱能流失，節省能源。

Build-in energy saving booster with cotton insulation, it can reduce heat loss and energy consumption.

🔧 技術規格 Technical Data

外形尺寸 Size	697 (W) x 683 (D) x 1625 (H) mm
開門高度 Door Opening Height	1900 mm
時間選擇 Cycle Time	1 - 1.5 Mins
機器淨重 Net Weight	122 kg
膠篩尺寸 Rack Size	500 (W) x 500 (D) mm
最大洗滌量 Machine Maximum Capacity	60 Racks / Hour
最高洗滌高度 Loading Height	410 mm
水缸容量 Tank Capacity	24 L
每篩耗水量 Rinse Usage	1 - 1.5 L / Rack
建議水壓 Suggest Water Pressure	15 - 20 psi
主洗水缸加熱功率 Wash Tank Heater	3 kW
主洗水泵功率 Wash Pump Power	0.9 kW (1.2HP)
內置電熱水爐功率 Internal Booster Heater	5 kW
總耗電功率 Electrical Loading	9 kW
供電要求 Power Supply	380 V / 50 Hz / 3 / N / PE (15 Amp)

AS-100

節能型揭門式洗碗碟機
Energy-Saving Door Type Dishwasher

透視圖 Perspective

運作圖 Operation Diagram

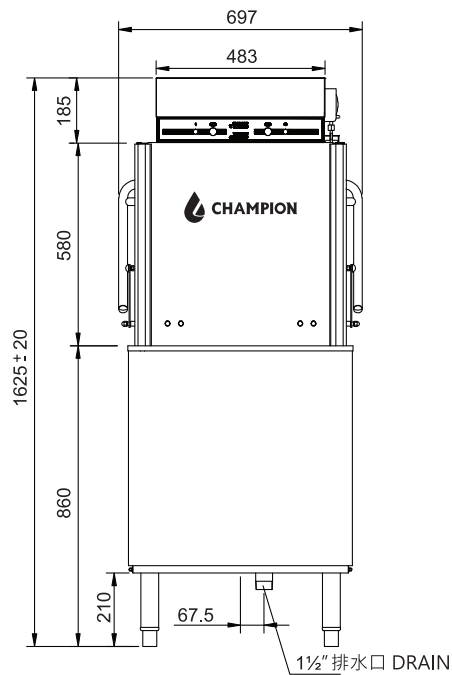
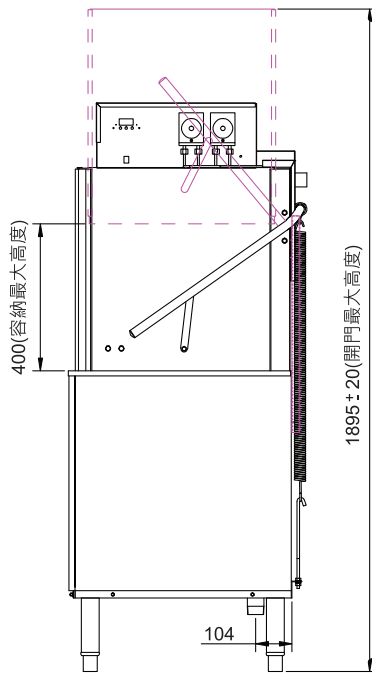


標準式運作圖
Standard Type Operation

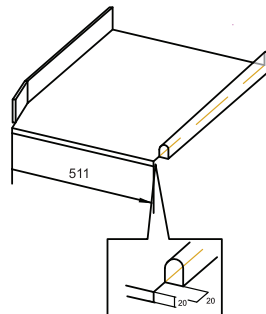
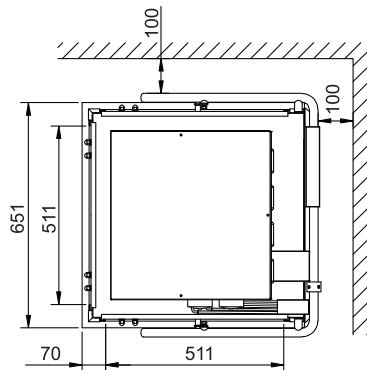


牆角式運作圖
Corner Type Operation

透視圖 Perspective



碗盤台與洗碗機接口立體視圖



安裝要求，客戶必須配置：

- (1) 電源：380V/50Hz/3/N/PE，電源線為 3-5mm² 及 16Amp 防水隔離開關
- (2) 供水：管徑 3/4"，球閥 3/4"，3/4" 外牙絲，建議水壓 15-25psi
- (3) 排水口為：排水口直徑 1 1/2"

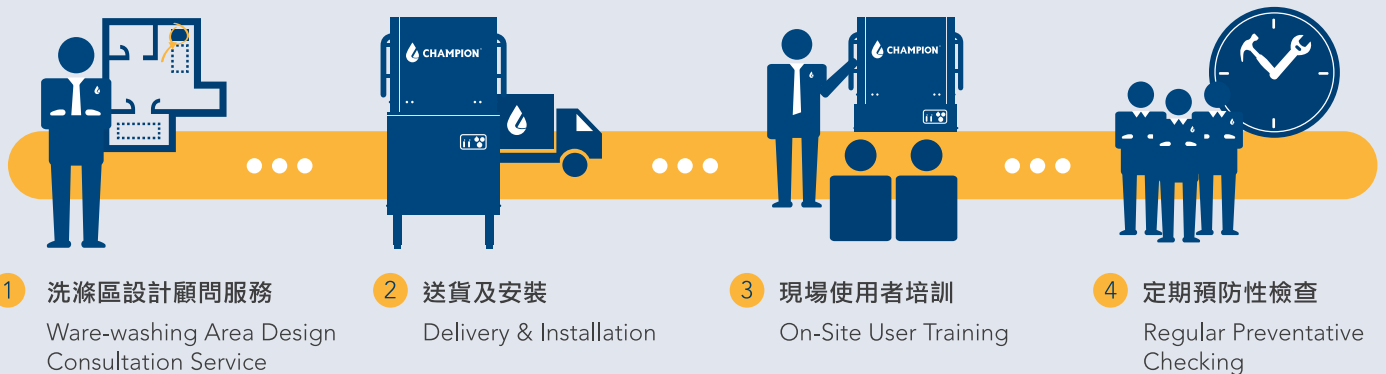
說明：

- (1) 括號內尺寸為 800mm (工作檯標準高度) 機器；
- (2) 本機器可將直立式改為轉彎式安裝 (圖所示)。

原廠一站式服務 Manufacturer One-Stop Services

我創造 · 我重視
We Make · We Care

從設計流程開始，直至售後支援服務，卓滙都細心關顧客戶所需。
We care about our customers and take care of anything starting from design, after-sale and maintenance services.



售後服務才是我們的開始 Post-sales Service is where our Business start.



專業顧問團隊
Professional Consulting Team



衛生諮詢培訓
Hygiene Consultation & Training



安心檢查維護
Secure Maintenance Service



流動工程車隊
Engineering Motorcade



充裕零件供應
Sufficient Spare Parts Supply

卓滙集團
Champion Group

香港
Hong Kong

☎ (852) 2475 9875
✉ enquiry_hk@champion-chem.com

中國
China

☎ (86) 0755 2821 8882
✉ enquiry_ch@champion-chem.com

澳門
Macau

☎ (853) 2823 0511
✉ enquiry_mc@champion-chem.com

台灣
Taiwan

☎ (886) 2 2643 6111
✉ enquiry_tw@champion-chem.com